

# Automatic barrier 630 STD

## for beams up to 5 m

- Hydraulic operator with opening and closing block
- The ideal solution for heavy and continuous traffic
- Electronic deceleration, patented
- Automatic, semi-automatic, parking, condo and dead man logics
- External release with triangular key.
- Mechanical and simple adjustment of torque separately for opening and closing



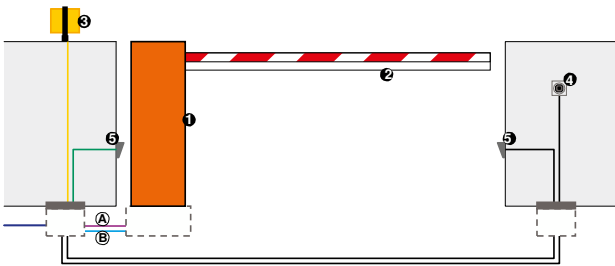
- New round beam or rectangle boom.



### DIMENSIONS AND TECHNICAL SPECIFICATIONS OF 630 STANDARD

|                                     |                               |                              |  |
|-------------------------------------|-------------------------------|------------------------------|--|
| Power supply voltage                | 230 Vac (+6% -10%) 50 (60) Hz | Weight                       | 73 kg  |
| Electric motor                      | single-phase, bi-directional  | Type of oil                  | FAAC HP OIL  |
| Absorbed power                      | 220 W                         | Barrier body treatment       | 100 micron epoxy zinc-plating anti-corrosion treatment   |
| Absorbed current                    | 1 A                           | Paint                        | Polyester RAL 2004   |
| Motor rotation speed                | 1400 r.p.m.                   | Protection class             | IP 44  |
| Pump flow rate                      | /l/min                        | Type of beam                 | rectangular standard - standard<br>rectangular with skirt - articulated<br>standard - round - pivoting round - round S |
| Thermal protection on motor winding | 120°C                         | Dimensions (L x D x H) in mm | 350 x 170 x 1080   |
| Effective torque                    | 0 to 150 Nm                   | Thrust capacitor             | 8 µF 400 V   |
| Electronic deceleration             | Adjustable with cams          |                              |  |
| Operating ambient temperature       | -20°C to +55°C                |                              |  |

### TYPICAL INSTALLATION EXAMPLE



#### ■ (A) Low voltage cabling

- 3 cables 3x0.5
- 1 cable 2x0.5

#### ■ (B) Power cabling (230V)

- 1 cable 2x1.5+T
- 1 cable 2x1.5

N.B: Cable sections in mm<sup>2</sup>

| Ref.         | Q.ty | Description of material  | Item code          | Price (INR) |
|--------------|------|--|--------------------|-------------|
| 1            | 1    | 630 Standard barrier body with built-in control unit 596/615 BPR | see following page |             |
|              | 1    | Fastening pocket for rectangular beam                            | 428342             |             |
|              | 1    | Foundation plate   | 490058             |             |
| 2            | 1    | Rectangular beam 4.815 mm  | 428091             |             |
|              | 1    | Receiver board RP 433 SLH  | 787824             |             |
|              | 1    | Two-channels transmitter XT2 433 SLH LR                          | 787007             |             |
| 3            | 1    | Flashing lamp FAACLIGHT  | 410013             |             |
| 5            | 1    | Pair of photocells FOTOSWITCH                                    | 785152             |             |
|              | 2    | Aluminium columns for FOTOSWITCH                                 | 401028             |             |
| 4            | 1    | Key-operated push-button T10                                     | 401010001/36       |             |
|              | 2    | Foundation plates for columns                                    | 737630             |             |
|              | 1    | Plastic container to be walled in                                | 720086             |             |
| <b>TOTAL</b> |      |  |                    |             |

#### Notes

ATTENTION: The configuration does not include the safety devices (i.e.: active or passive safety edges) that are to be determined according to the specific "risk analysis" of each installation (Ref.: UNI-EN 12445 and 12453 European Standards).

- The indicated price does not include the installation costs and the expenses for masonry, electrical and metalwork preparations.

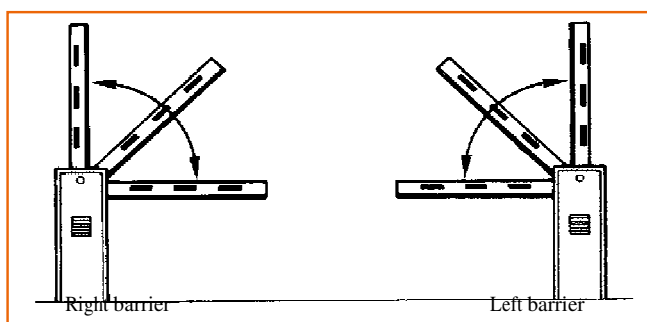
## 630 STANDARD

| Model                          | Use                  |                  |                   | Control unit        | Item code           |
|--------------------------------|----------------------|------------------|-------------------|---------------------|---------------------|
|                                | Beam max. length (m) | Opening time (s) | Use frequency (%) |                     |                     |
| 630 standard LH/RH             | 5,00                 | 3.5              | 100               | Built-in 596/615BPR | See following table |
| 630 standard articulated LH/RH | 4,00 (articulated)   | 3.5              | 100               | Built-in 596/615BPR | See following table |

**The packages 630 standard include:** barrier body - for rectangular / round / pivoting round beam (630 STD) - for rectangular articulated beam (630 STD ART.), hydraulic drive transmission system complete with balancing spring, installation accessories, a triangular release key.

## ORDER CODES TABLE FOR 630 STANDARD BARRIERS

| Model               | Beam profile                                       | Beam length (mm)  | LH version code | RH version code |
|---------------------|--|-------------------|-----------------|-----------------|
| 630 STD             | 630 rectangular standard                           | 1,315 to 2,055    | 1046268         | 1046468         |
|                     |  | 2,065 to 2,555    | 1046208         | 1046408         |
|                     |  | 2,565 to 3,055    | 1046278         | 1046478         |
|                     |  | 3,065 to 3,815    | 1046288         | 1046488         |
|                     |  | 3,825 to 4,815    | 1046228         | 1046428         |
|                     | 630 rectangular standard with skirt                | 1,815 to 2,805    | 1046208         | 1046408         |
|                     |  | 2,815 to 3,555    | 1046218         | 1046418         |
|                     |  | 3,565 to 3,815    | 1046228         | 1046428         |
|                     |  | 3,825 to 4,815    | 1047508         | 1047518         |
|                     | 630 round  | 1,500 to 2,740    | 1046268         | 1046468         |
|                     |  | 2,750 to 3,240    | 1046208         | 1046408         |
|                     |  | 3,250 to 4,000    | 1046278         | 1046478         |
|                     |  | 4,010 to 5,000    | 1046228         | 1046428         |
|                     | NEW 630 S round                                    | 0 to 2,300 mm     | 1046268         | 1046468         |
|                     |  | 2,310 to 2,800 mm | 1046208         | 1046408         |
|                     |  | 2,810 to 3,300 mm | 1046278         | 1046478         |
|                     |  | 3,310 to 3,800 mm | 1046288         | 1046488         |
|                     |  | 3,810 to 4,300 mm | 1046228         | 1046428         |
|                     |  | 4,310 to 5,000 mm | 1046228         | 1046128         |
|                     | NEW 630 S round with skirt                         | 0 to 2,300 mm     | 1046268         | 1046468         |
|                     |  | 2,310 to 2,800 mm | 1046208         | 1046408         |
|                     |  | 2,810 to 3,300 mm | 1046218         | 1046418         |
|                     |  | 3,310 to 3,800 mm | 1046228         | 1046428         |
|                     |  | 3,810 to 4,300 mm | 1047508         | 1047508         |
|                     |  | 4,310 to 5,000 mm | 1047508         | 1047518         |
|                     | 630 pivoting round                                 | 1,500 to 2,240    | 1046268         | 1046468         |
|                     |  | 2,250 to 2,740    | 1046208         | 1046408         |
|                     |  | 2,750 to 3,000    | 1046278         | 1046478         |
| 630 STD ARTICULATED | 630 rectangular articulated A(*) = 815 to 1314 mm  | 1,315 to 1,815    | 1047018         | 1047118         |
|                     |  | 1,825 to 2,815    | 1047028         | 1047128         |
|                     |  | 2,825 to 3,815    | 1047038         | 1047138         |
|                     | 630 rectangular articulated A(*) = 1315 to 1814 mm | 1,825 to 2,815    | 1047038         | 1047138         |
|                     |  | 2,825 to 3,815    | 1047048         | 1047148         |
|                     | 630 rectangular articulated A(*) = 1815 to 2075 mm | 1,825 to 2,815    | 1047048         | 1047148         |



### CONTROL UNITS



Built-in control board 596/615 BPR Technical specifications page 150

### SPECIFIC ACCESSORIES



Articulation kit - max. ceiling height 3 m (only for standard rectangular beams)

Item code 428137

#### Notes

- You can determine right or left barrier version, by looking at the barrier from the door side (see drawing at the side). The door usually faces the inside of the property.
- IMPORTANT the rectangular beam has a profile in anti-impact rubber; for balancing reasons, "active" safety edges cannot be installed on the beam profile.
- IMPORTANT the beam fastening pocket is not included in the case and must be ordered separately. Consult "Specific accessories"
- (\*) A = H - 1155 (mm) where H is the floor to ceiling height.

## SPECIFIC ACCESSORIES



**Standard rectangular beams - 5 lengths:**

|             |          |
|-------------|----------|
| Length      | 1.815 mm |
| Item code   | 428087   |
| Price (INR) |          |
| Length      | 2.315 mm |
| Item code   | 428088   |
| Price (INR) |          |
| Length      | 2.815 mm |
| Item code   | 428089   |
| Price (INR) |          |
| Length      | 3.815 mm |
| Item code   | 428090   |
| Price (INR) |          |
| Length      | 4.815 mm |
| Item code   | 428091   |



**Round beams (while stocks last)**

|                     |          |
|---------------------|----------|
| Length              | 2.500 mm |
| Item code           | 428078   |
| Price (INR)         |          |
| Length              | 3.000 mm |
| Item code           | 428075   |
| Price (INR)         |          |
| Length              | 4.000 mm |
| Item code           | 428079   |
| Price (euro)        | 164.90   |
| Length              | 5.000 mm |
| (solo 630 standard) |          |
| Item code           | 428149   |



**Pivoting round beams**

|             |          |
|-------------|----------|
| Length      | 2.500 mm |
| Item code   | 428175   |
| Price (INR) |          |
| Length      | 3.000 mm |
| Item code   | 428176   |
| Price(INR)  |          |



**Fastening pocket for rectangular, round and pivoting round beams**

|                                 |        |
|---------------------------------|--------|
| Rectangular beams               |        |
| Item code                       | 428342 |
| Price (INR)                     |        |
| Round beams (while stocks last) |        |
| Item code                       | 428152 |
| Price (INR)                     |        |
| (INOX) Pivoting round beams     |        |
| Item code                       | 428163 |



**Additional triangular release key (10 pcs package)**

|           |        |
|-----------|--------|
| Item code | 713002 |
|-----------|--------|



**Break out sensor for pivoting round beams**

|           |        |
|-----------|--------|
| Item code | 390828 |
|-----------|--------|



**Anti-vandal valve (\*)**  
It protects the hydraulic system if the beam is forced

|           |        |
|-----------|--------|
| Item code | 401066 |
|-----------|--------|

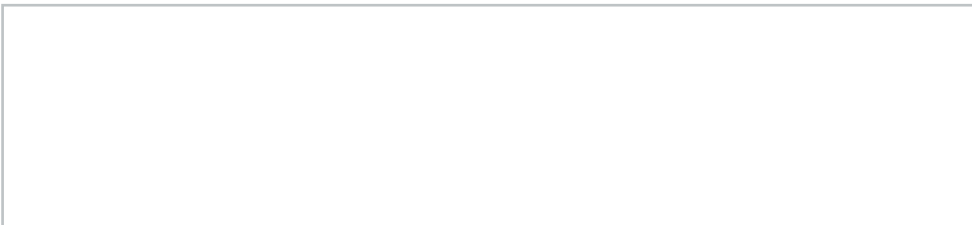
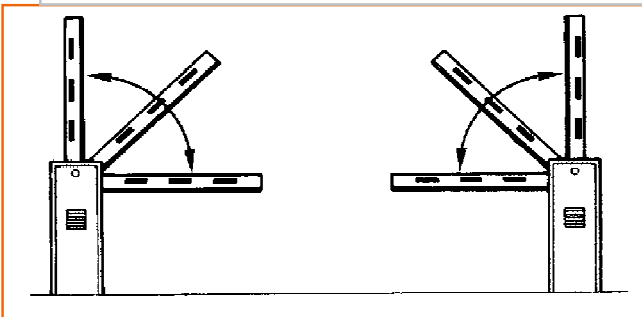


**Anti-panic unit (\*)**  
For manual opening of the beam in the event of a power cut

|           |        |
|-----------|--------|
| Item code | 401051 |
|-----------|--------|

**Notes**

- (\*) The anti-panic unit and the anti-vandal valve cannot coexist on the same barrier.
- (\*\*) For correct balancing, installing a foot on a beam and on a beam with skirt, entails selecting a barrier housing for beam lengths of over 0.5 m.





Available starting May 2013

**ROUND BEAMS AND SPECIFIC ACCESSORIES**



**Round beams S  
(stickers not included)**

|           |          |
|-----------|----------|
| Length    | 2.300 mm |
| Item code | 428045   |
| Length    | 3.300 mm |
| Item code | 428042   |
| Length    | 4.300 mm |
| Item code | 428043   |
| Length    | 5.000 mm |
| Item code | 428002   |



**Fastening pocket for S 615/620 round beams**

|           |        |
|-----------|--------|
| Item code | 428445 |
|-----------|--------|



**End foot for S/L round beam (\*)**

|           |        |
|-----------|--------|
| Item code | 428442 |
|-----------|--------|



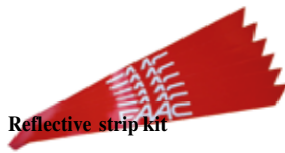
**Support fork for S/L round beam**

|           |        |
|-----------|--------|
| Item code | 728487 |
|-----------|--------|



**Adjustment screw for S/L round beam support fork**

|           |        |
|-----------|--------|
| Item code | 728488 |
|-----------|--------|



**Reflective strip kit**

|           |        |
|-----------|--------|
| Item code | 490117 |
|-----------|--------|



**Kit for connecting S/L round beam lights (\*\*)**

|           |        |
|-----------|--------|
| Item code | 390992 |
|-----------|--------|



**Luminous cord package containing 11 m**

|           |        |
|-----------|--------|
| Item code | 390993 |
|-----------|--------|



**2 m skirt kit for S/L round beam**

|           |        |
|-----------|--------|
| Item code | 428441 |
|-----------|--------|

**Notes**

- (\*) For correct balancing, the installation of a foot on a beam with skirt requires a barrier housing for beam lengths greater than 0.5 m.
  - (\*\*) For correct balancing, the installation of lights on a beam and on a beam with skirt, for lengths greater than 2,800 mm requires a barrier housing for beam lengths greater than 0.5 m.
- N.B.** In case of beam with foot, consider 1 m (0.5 lights + 0.5 foot).
- Other accessories: see ref. from page 156